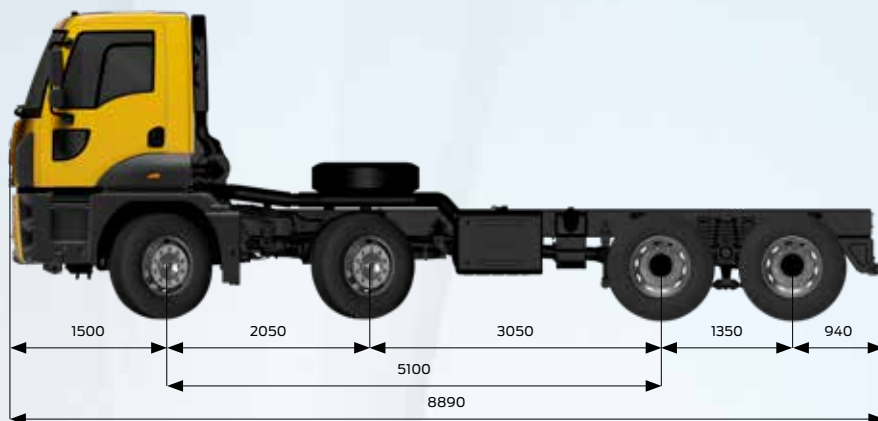


FORD TRUCKS 4142P EURO6



Basic Features

Vehicle Type	Concrete Pump
Axle	8x4
Emission	Euro 6
Cabin Type	Day Cab
Wheelbase (mm)	5100

Engine

Type	Ecotorq 12,7 liters
Displacement (cc)	12740
Bore x Stroke	130 mm x 160 mm
Power	420 PS (308,9 kW) / 1800 rpm
Torque	2150 Nm / 1000-1300 rpm
Compression Ratio	17 +/- 0,5 : 1
Oil Filling Volume	50 L
Coolant Volume	37 L

Transmission

Clutch	430 mm Single Disc
Manuel Transmission / Ratios (1. gear - 16. gear)	ZF 16S 2230 (13,805-0,836)

Steering

Power Assisted Single Circuit

Chassis

Chassis Thickness	10 mm with Local Reinforcement
Chassis Strength	500 MPa
Suspension (Front / Rear)	90 mm Parabolic Leaf Springs / 100 mm Parabolic Tandem Suspension
Axle	Hub Reduction
Axle Ratio	4,08
Tyres	315/80 R 22,5
Wheel Rim	22,5 x 9 Steel

Braking System

Brakes (Ø mm x mm Length)	410 x 200, Z-Cam Drum Brake System
Braking System	Dual Brake Circuit – Air Processing Unit with Integrated Oil Separator and Heater
Engine Brake Power	max. 340 kW (Engine Level)

Electrical System

Battery	24V, 2 x 12V 150 Ah
Alternator / Starter Motor	130 A / 6,5 kW

Tanks

Fuel Tank	250 L Steel
SCR Tank	55 L



Sharing the load

Dimensions (mm)

Front Overhang	1500
Wheelbase	5100
Overall Length	8890
Distance Between 1 st and 2 nd Wheel Centers	2050
Distance Between 2 nd and 3 th Wheel Centers	3050
Distance Between 3 th and 4 th Wheel Centers	1350
Overall Cab Length	1820
Total Vehicle Height	3195
Overall Vehicle Width (Excluding Mirrors)	2540
Chassis Width	770
Rear Overhang	940
Useful Chassis Length	6475
Chassis Height - Front	225
Chassis Height - Rear	285
Ground Clearance - Front	495
Ground Clearance - Rear	297
Turning Radius	11930

Weights (kg)

	1. Axle	2. Axle	3. Axle	4. Axle	Total
Technically Permissible Weights	8000	8000	13400	13400	41000
Kerb Weight	3750	3776	1843	1843	11212
Payload	4250	4224	11557	11557	27788
GVM (Legal)	8000	8000	9500	9500	32000

STANDARD EQUIPMENT

- Manuel Air conditioner
- AM/FM/Aux In/USB/Bluetooth (Radio with Bluetooth)
- 4 Points Independent Cab Suspension for Day Cab
- Cruise Control
- Engine Brake
- Drum Brake
- Electrically Operated Windows
- Electrically Operated and Heated Side Mirrors
- Electrically Operated Headlamp Leveling
- Rake and Reach Adjustable Steering Column
- Heated and Air Suspended Driver Seat
- Lumbar Support
- Front and Rear Vehicle Antiroll Bars
- Anti-Lock Brake System (ABS)
- Brake Lining Wear Indicator
- Immobilizer
- Single Key with Remote Control and Central Locking
- Home Safe Light
- Approach Light
- Differential Lock
- Digital Tachograph
- Switchable Air Compressor for Improved Fuel Economy
- Rear Window
- Short Bumper
- Front Towing Hooks (Double Hook)
- Ventilation Roof

OPTIONAL EQUIPMENT

- 6000 mm Wheelbase Option
- ADR Pack
- Auxiliary Cabin Heater (Wet Type)
- Cold Pack with Wet Type Cab Heater and 225 Ah Battery
- Manual Operated Sunroof
- Power Cab Tilting
- Engine Driven PTO & Interior Control Unit
- Dual Passenger Seat
- Lateral Protection
- Automatic Traction Control (ATC)

* Available with 6000mm Wheelbase Option